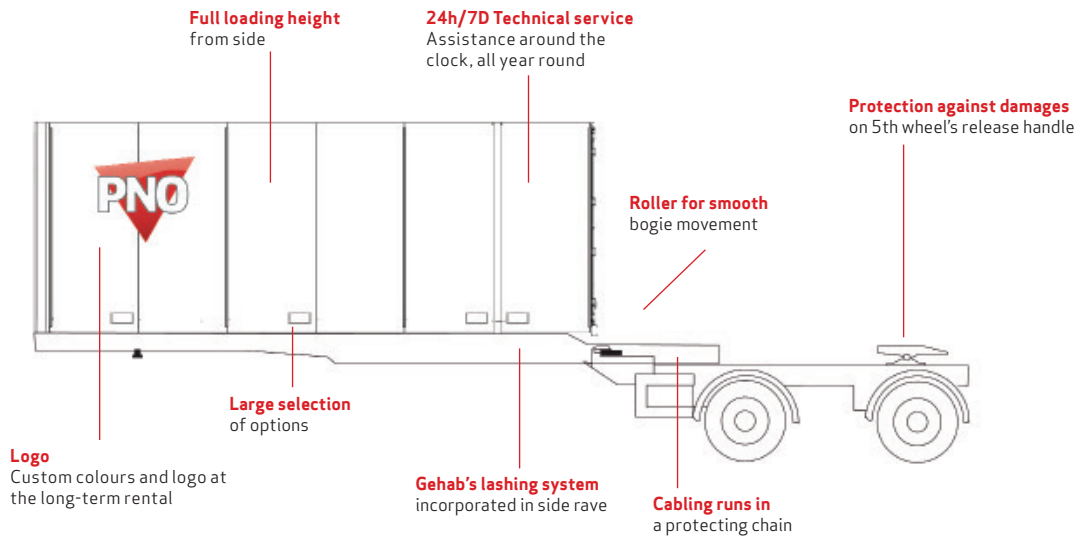


LINK BOX WITH FOLDABLE SIDE DOORS



TECHNICAL SPECIFICATIONS

| | |
|------------------------------------|-------------------------|
| Length external/internal | 7.770 mm/7.660 mm |
| Width external/internal | 2.550 mm/2.480 mm |
| Height externa/internal at a | |
| 5th wheel height of 1.115 mm | 4.050 mm/2.620 mm |
| Loading height side | 2.620 mm |
| Loading length side | 7.400 mm |
| Loading height/width rear doors | 2.620/2.415mm |
| Overall length in touring position | 10.665 mm |
| 5th wheel height, two heights | 1.050 mm/1.150 mm |
| Own weight | 7.620 kg |
| Total weight | 36.000 kg |
| Axle load | 20.000 kg |
| Kingpin load | 16.000 kg |
| Axles | BPW 2x10ton drum brakes |
| Distance axles | 1.820 mm |
| Brakes | EBS - can router |
| Tire size | 265/70 R19.5 |
| Chassi neck height | 180 mm |
| Roof | 85 mm |
| Front wall | 24 mm |
| Side walls | 18 mm |
| Rear doors | 18 mm |

EQUIPMENT

- Lashing rings in side rave
- Ferry shackles
- ADR - sign
- Hardwood floor 28 mm with steel sections
- Interior lighting
- Double espagnolettes back

OPTIONAL

- Domestic height
- Double deck load system
- Band up for easy load lashing
- Load securing rails
- Box without foldable side doors and just rear doors



HERE ARE PNO TRAILERS, DEPOTS AND WORKSHOPS

PNO SVERIGE AB HELSINGBORG GOTHENBURG JÖNKÖPING MALMÖ SUB-DEPOTS
+46 42-499 15 50 ÅKERS STYCKEBRUK, ÖREBRO
www.pno.se