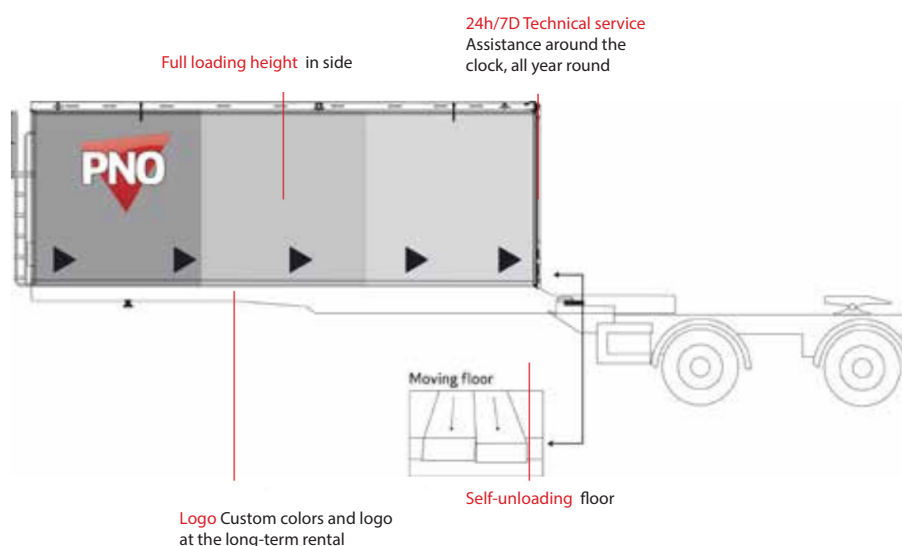


LINK MOVING FLOOR



TECHNICAL SPECIFICATIONS

Length outside/inside	7.000 mm/7.660 mm
Width outside/inside	2.550 mm/2.480 mm
Total h. outside at 1.120 mm coupling	4.060 mm
Height inside	2.670 mm
Loading height front/rear	2.650 mm
Back door width	2.480 mm
5th wheel height	1.150 mm
Length with extended boogie	10.650 mm
Coupling height, two heights	1.020 mm
Service weight	6.960 mm
Total weight	28.040 kg
Axle load	20.000 kg
Kingpin load	15.000 kg
Axles	BPW 2 x 10 ton drum brakes
Distance axles	1.820 mm
Chassis frame	190 mm
Tire size	265/70 R 19.5
Roof	35 mm
Front wall	24 mm
Side walls	18 mm
Back doors	18 mm
Double locking bars	

EQUIPMENT

Stanchion holes, 3 pcs
Opening left side

OPTIONAL

Hydraulic insertion of boogie
Interior height: 4.450 mm
Domestic height: 3.050 mm